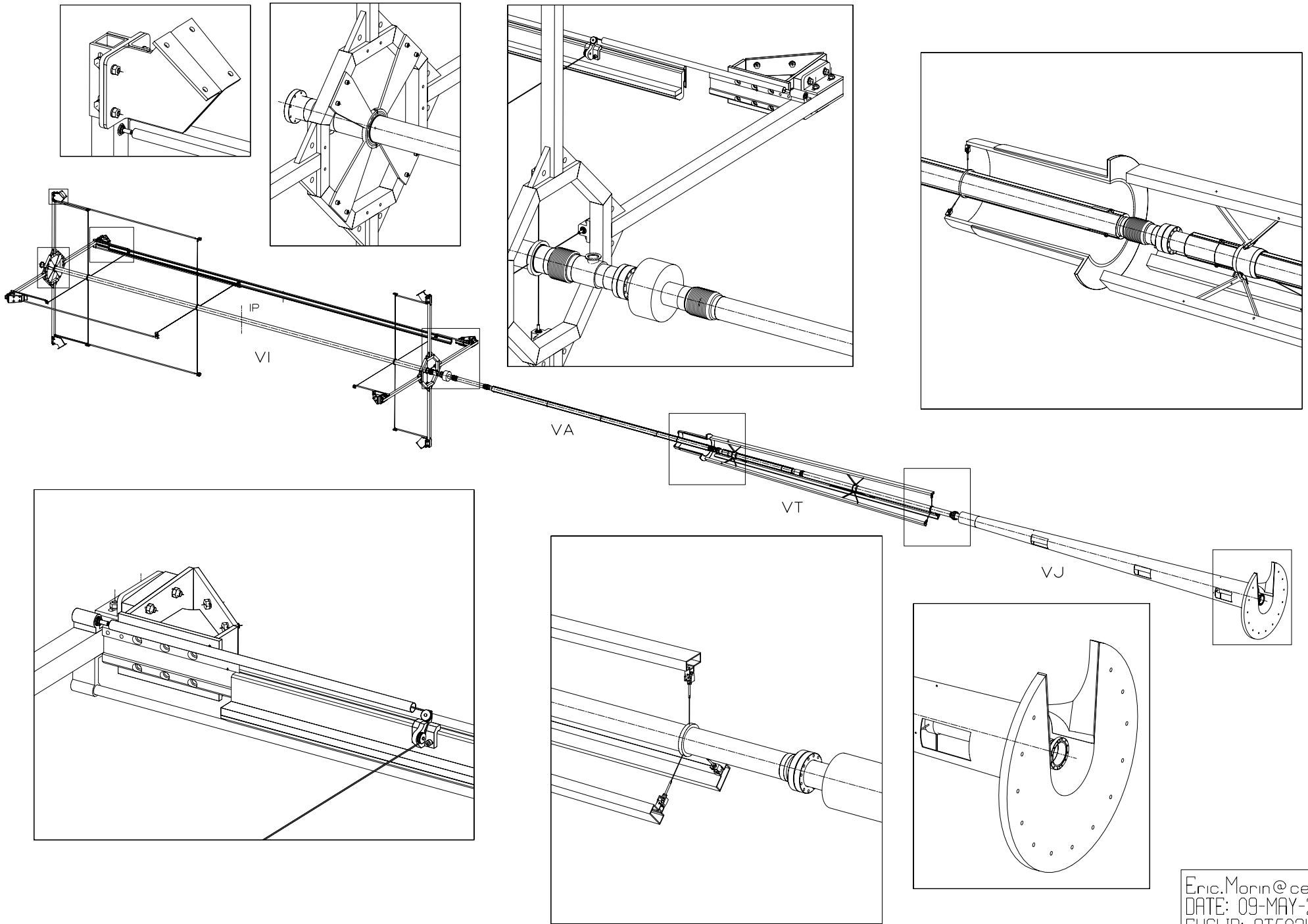
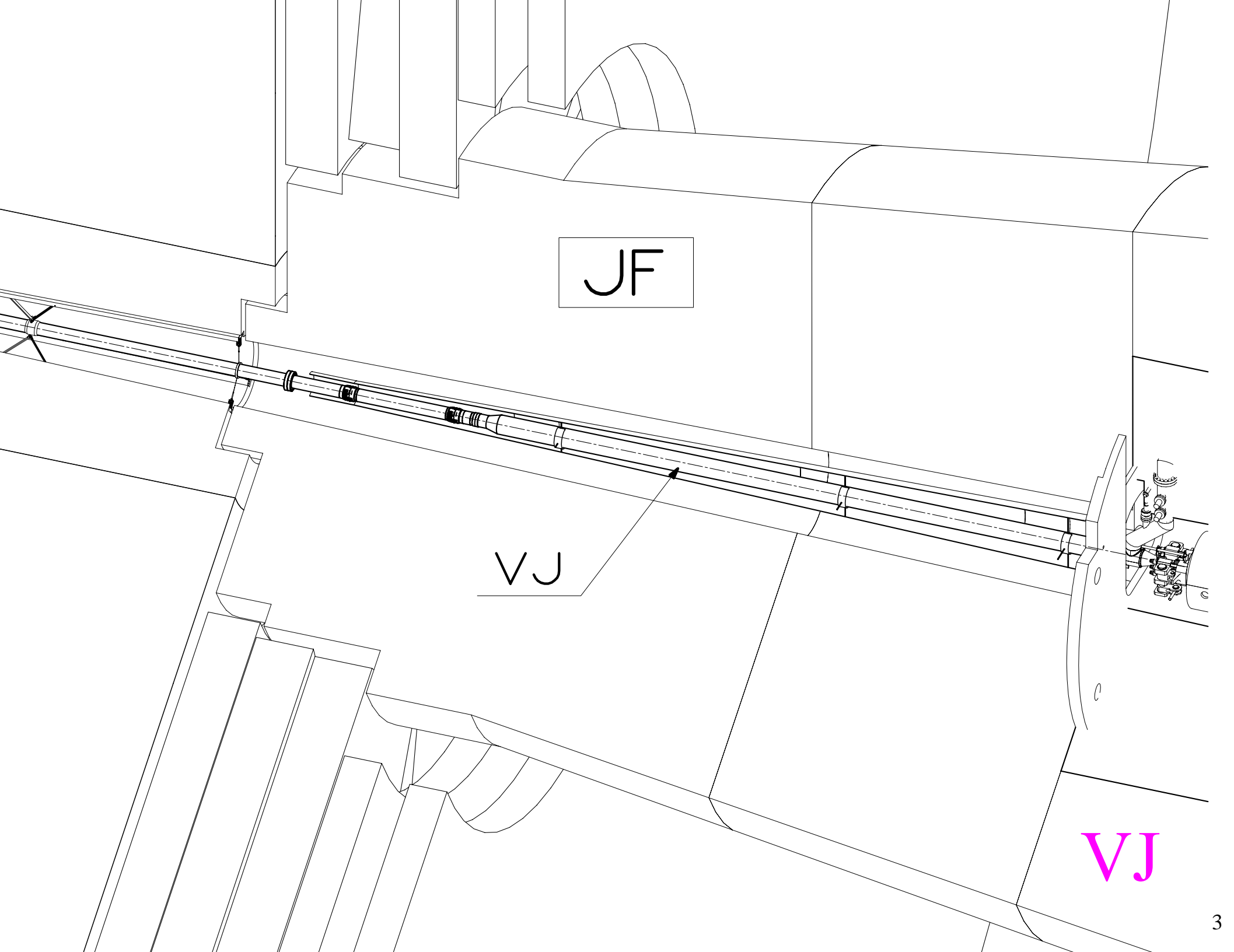


Eric.Morin@cern.ch  
 DATE: 12-MAY-2000  
 EUCLID: AT502428PL  
 CDD:



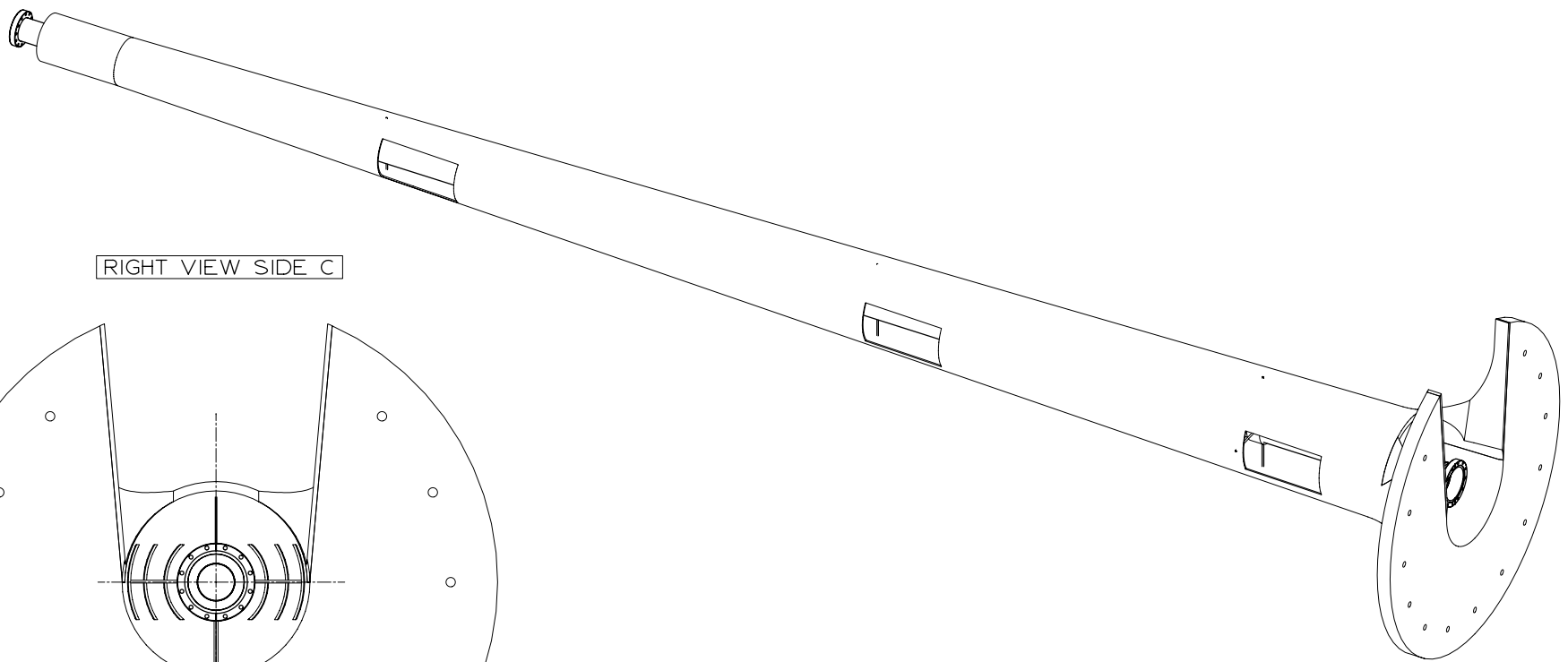
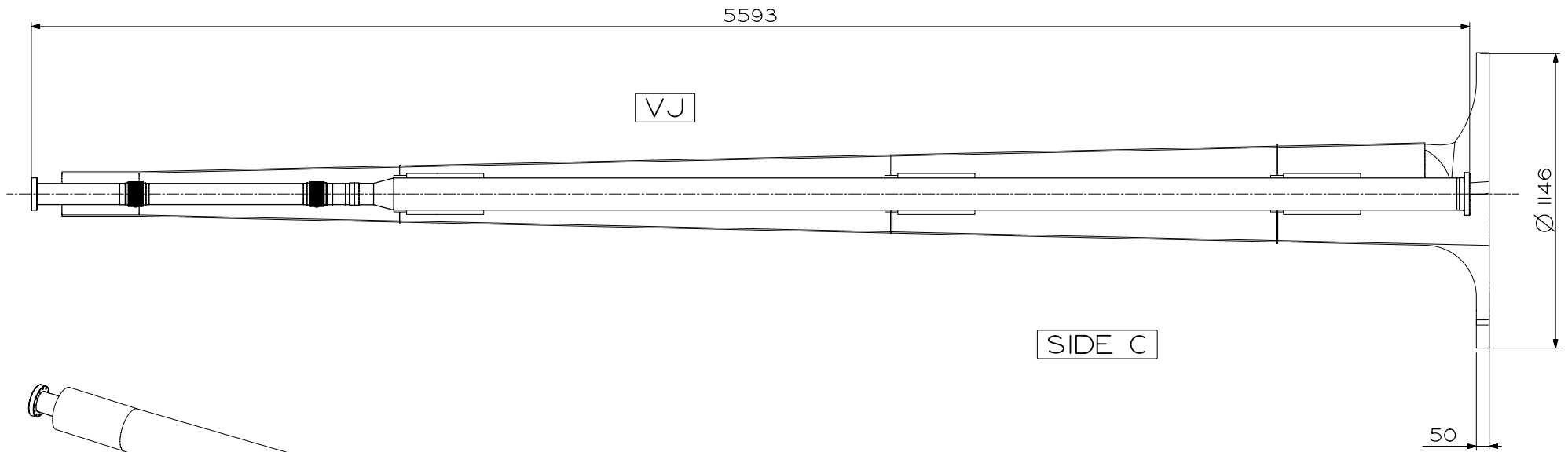
Eric.Morin@cern.ch  
 DATE: 09-MAY-2000  
 EUCLID: AT502425PL  
 CDD:



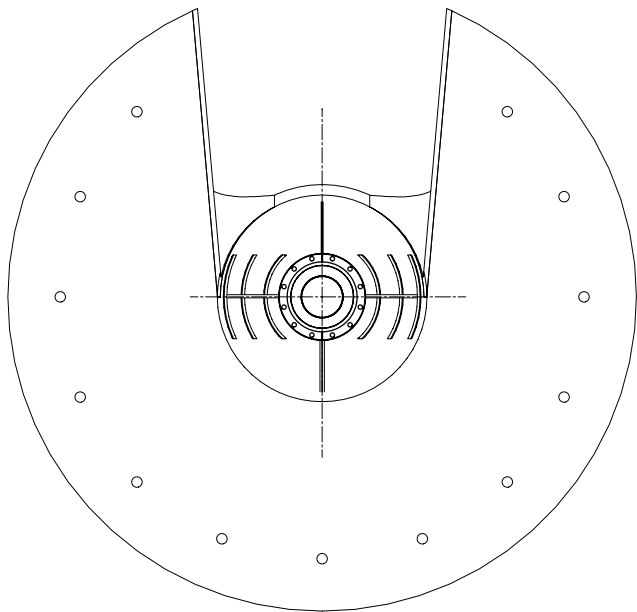
JF

VJ

VJ



RIGHT VIEW SIDE C



VJ

Eric.Morin@cern.ch  
 DATE: 09-MAY-2000  
 EUCLID: AT502423PL  
 CDD:



E

JD

TE

AE

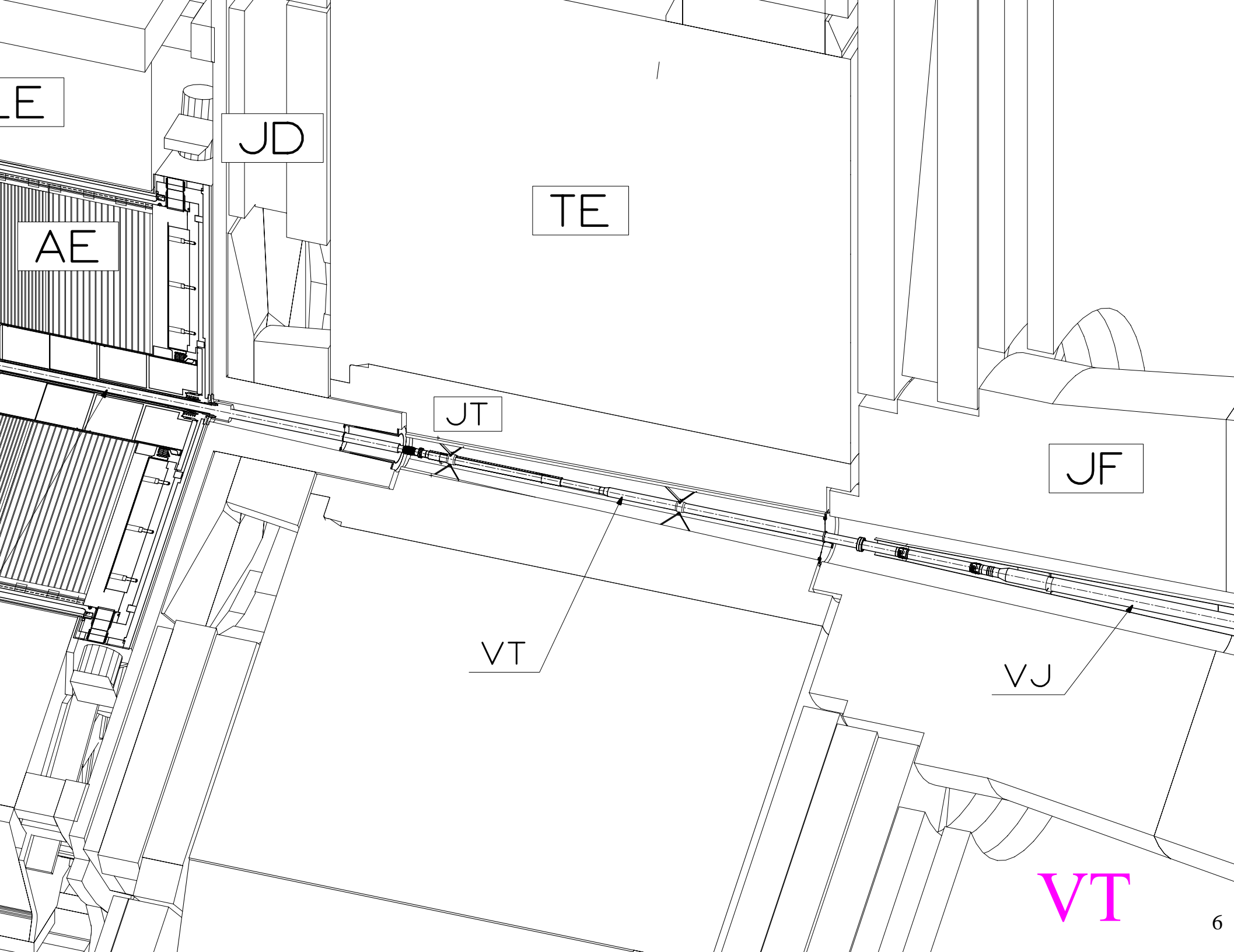
JT

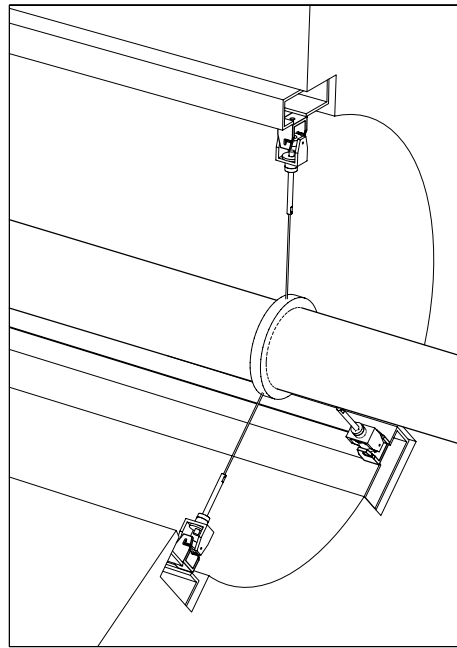
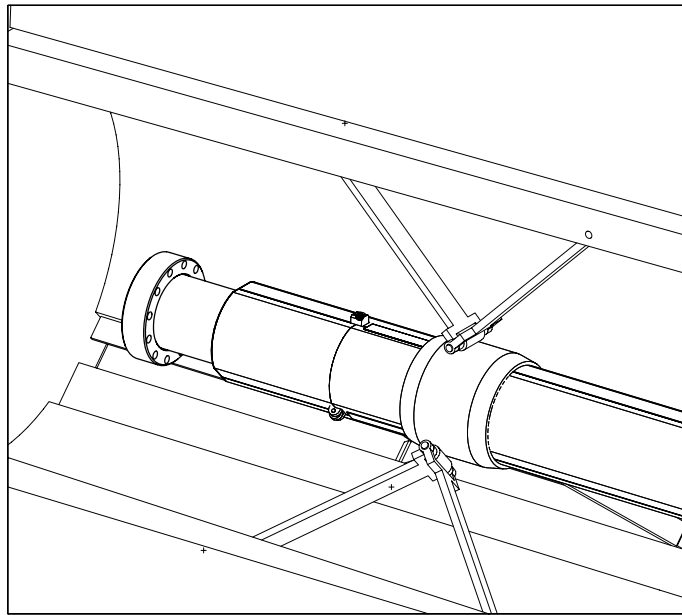
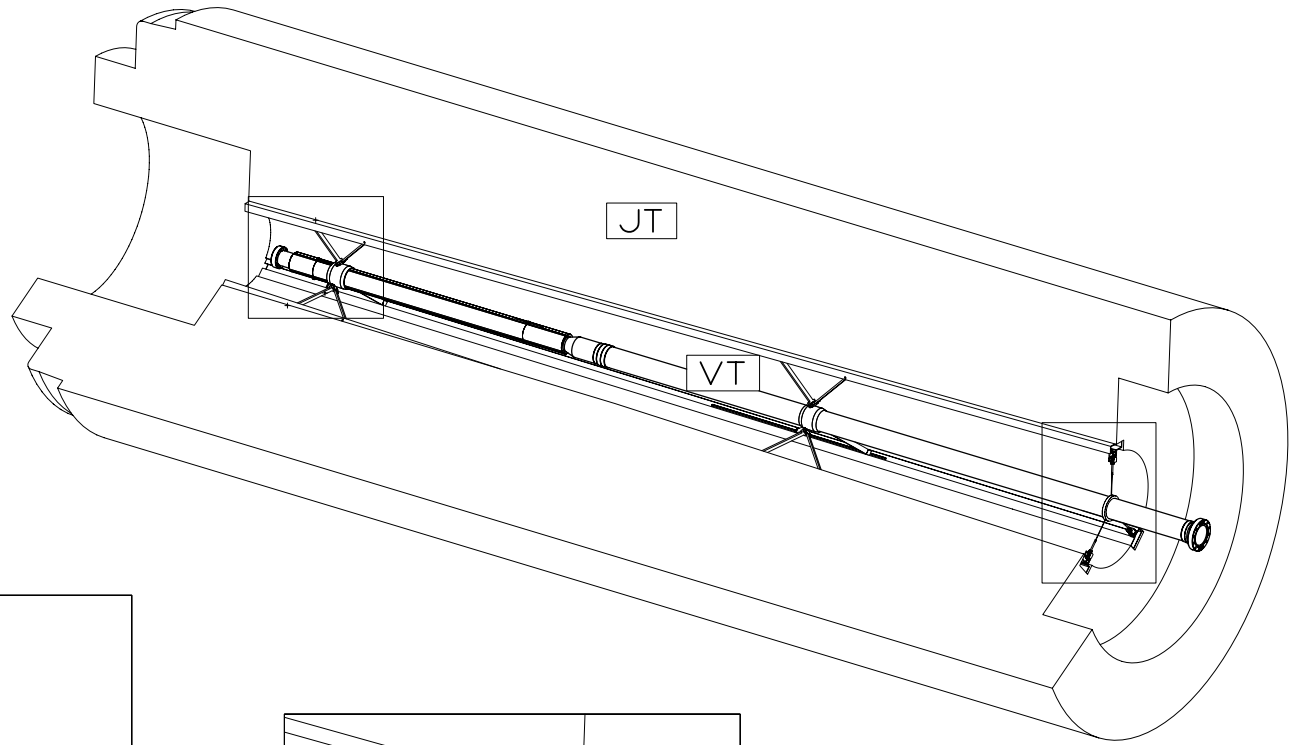
JF

VT

VJ

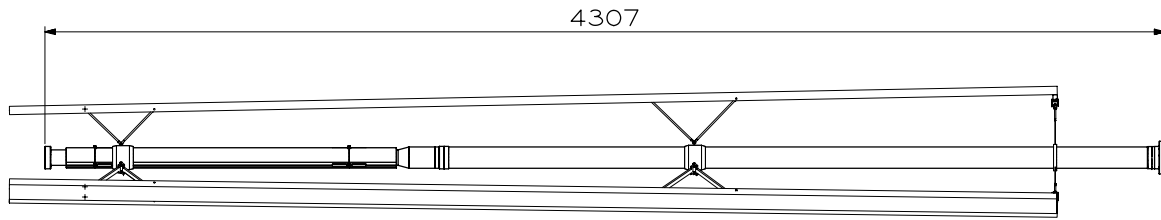
VT



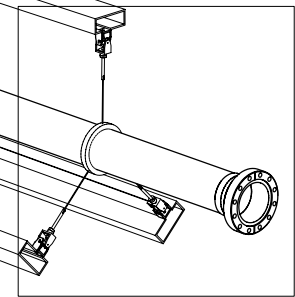
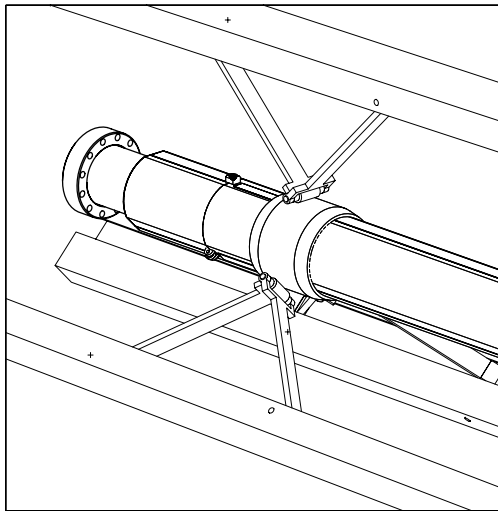
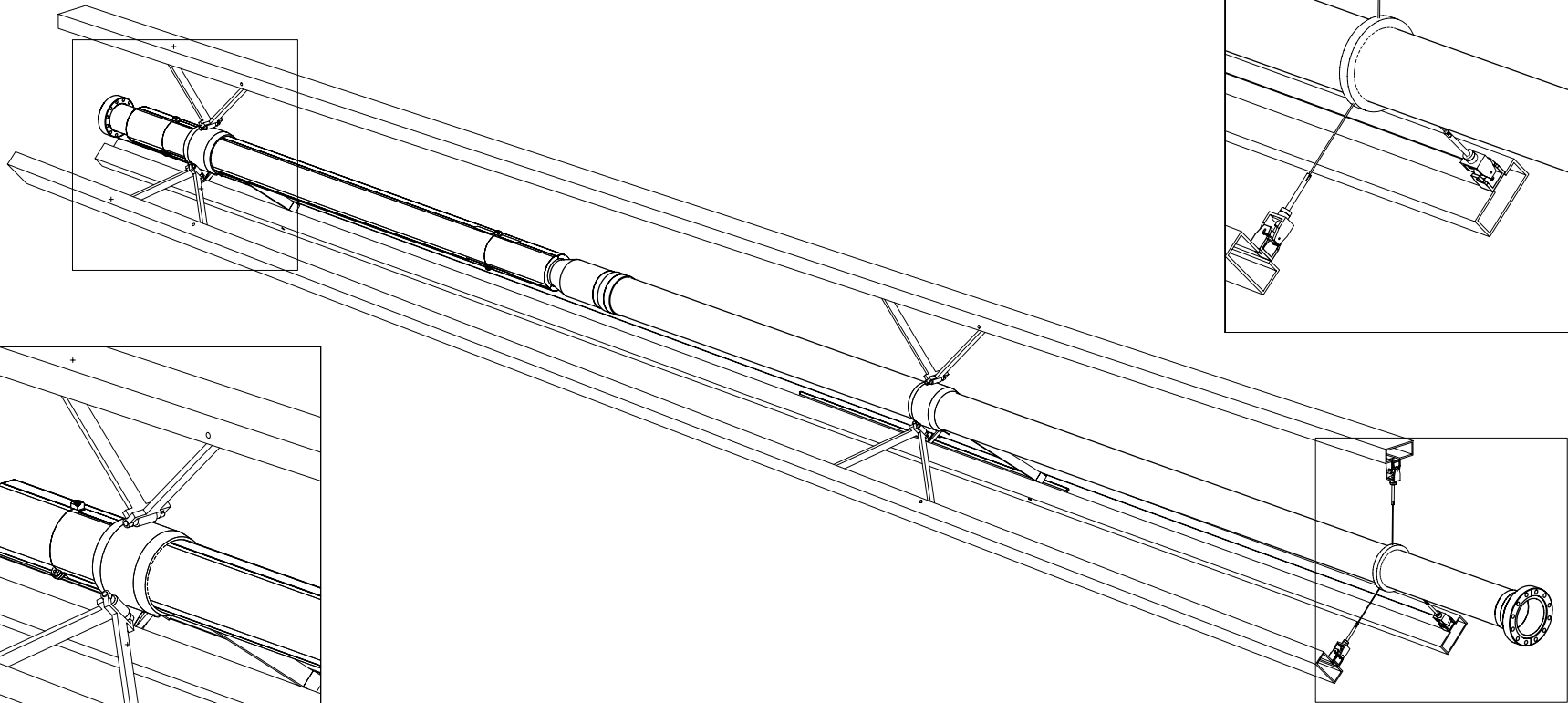
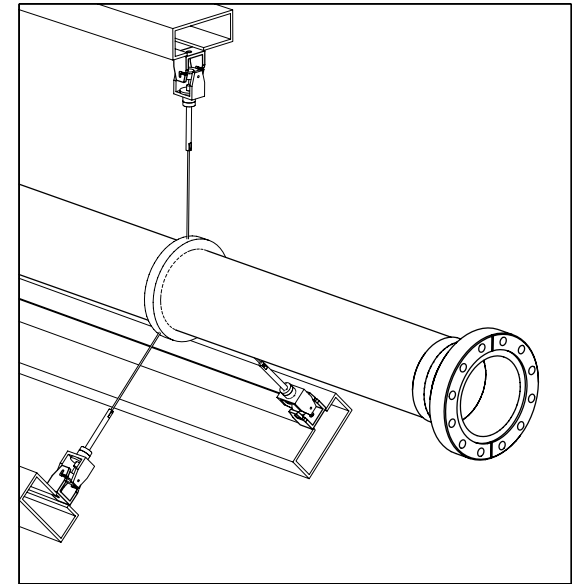
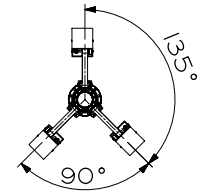


VT

Eric.Morin@cern.ch  
DATE: 09-MAY-2000  
EUCLID: AT502420PL  
CDD:



VT

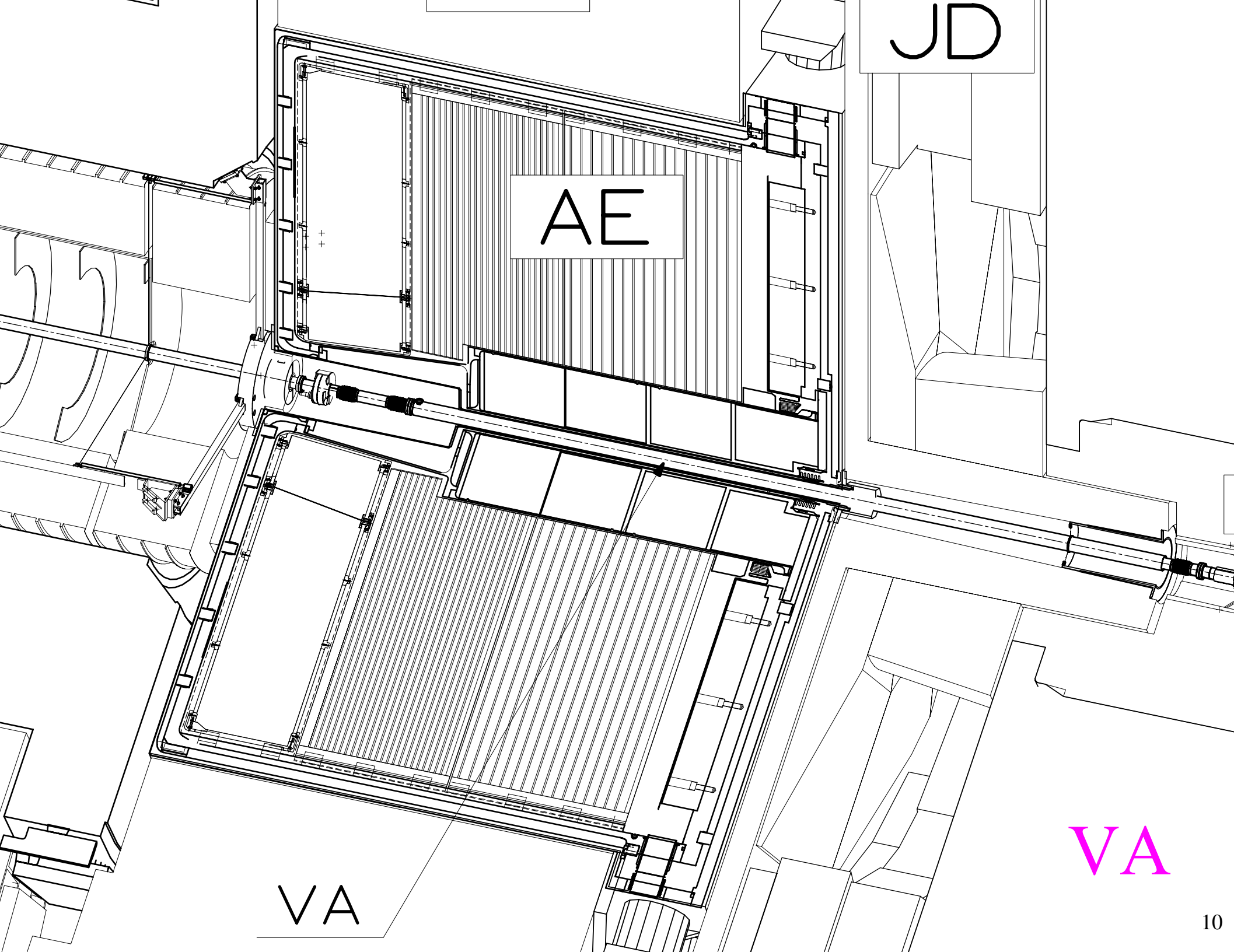


VT

Eric.Morin@cern.ch  
DATE: 09-MAY-2000  
EUCLID: AT502419PL  
CDD:





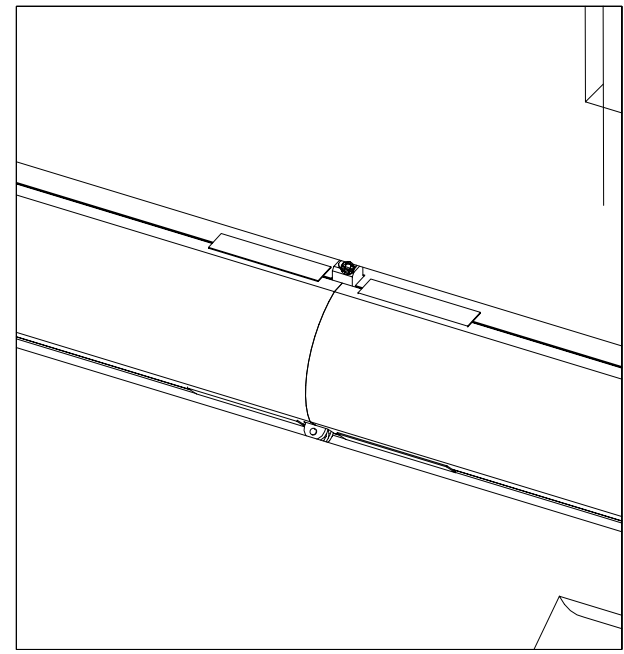
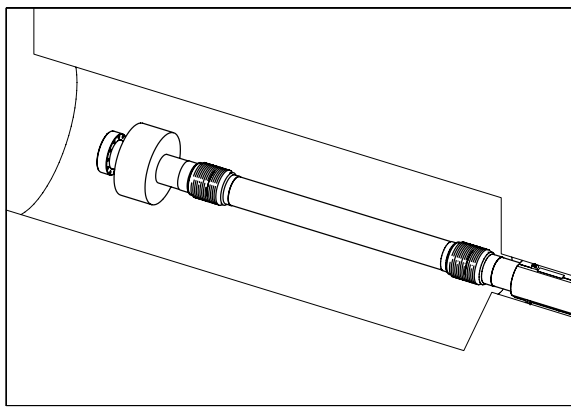
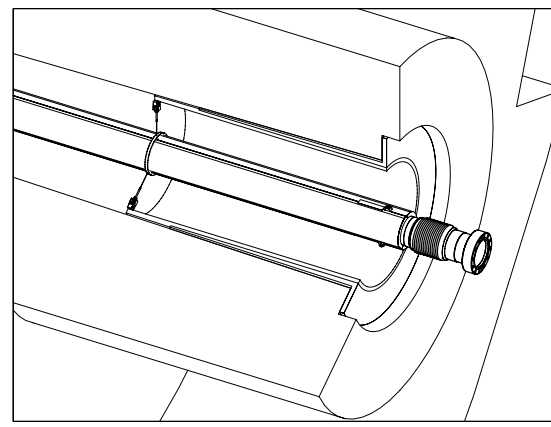
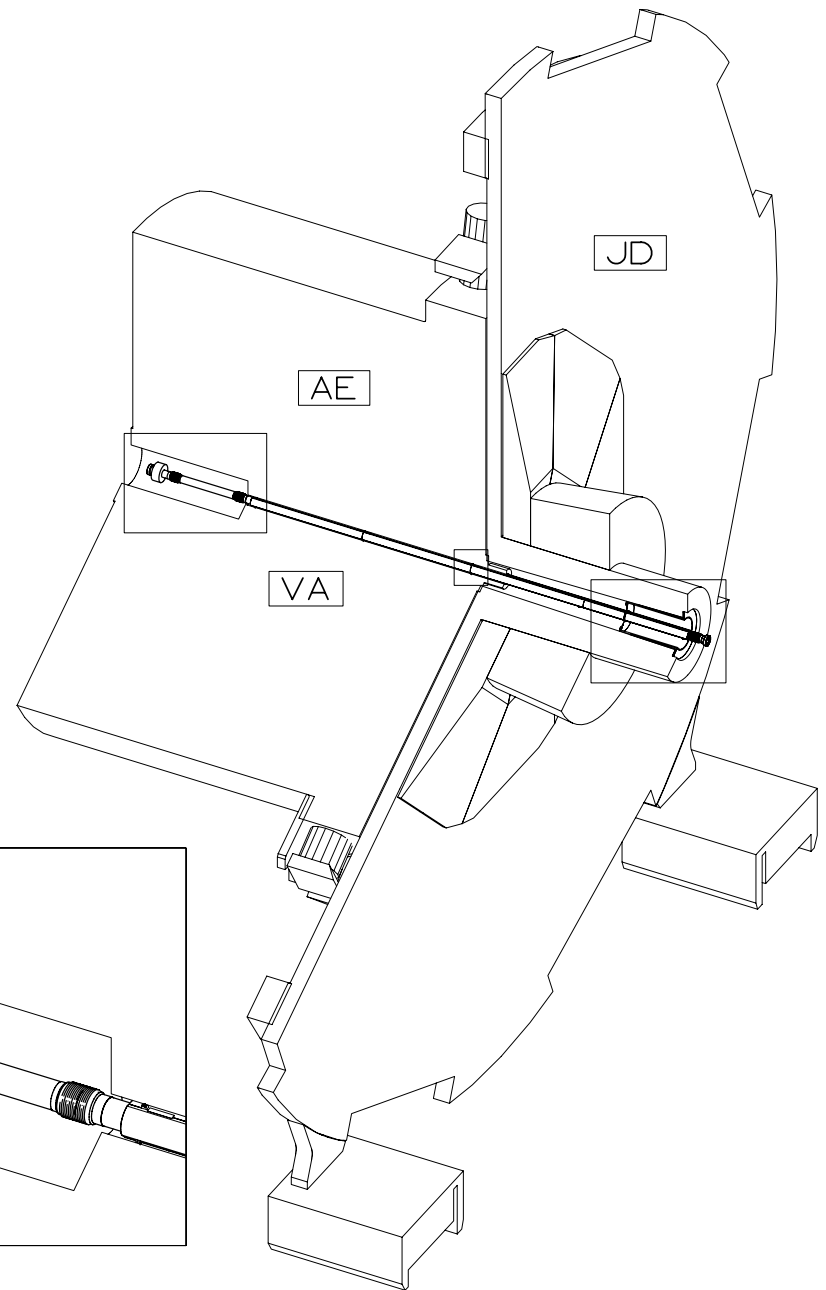
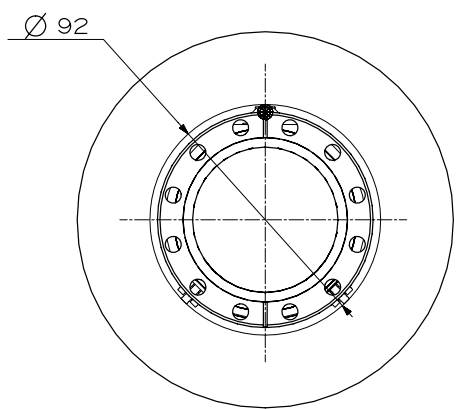


AE

JD

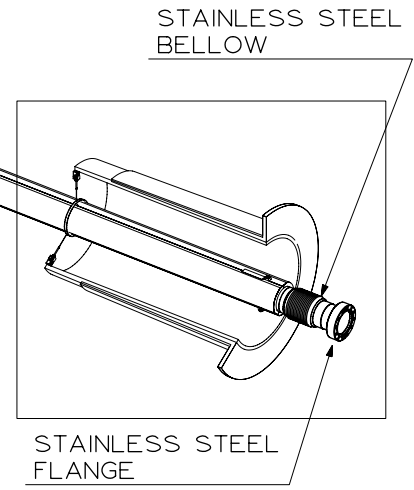
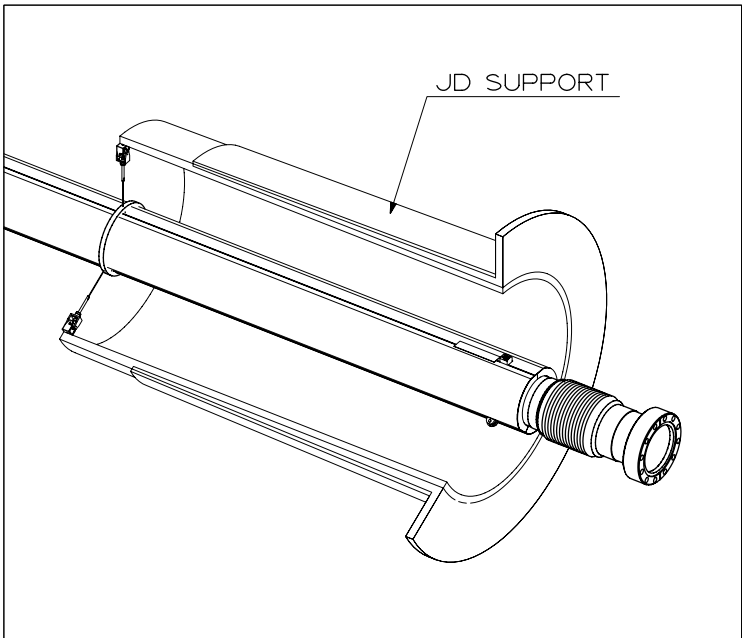
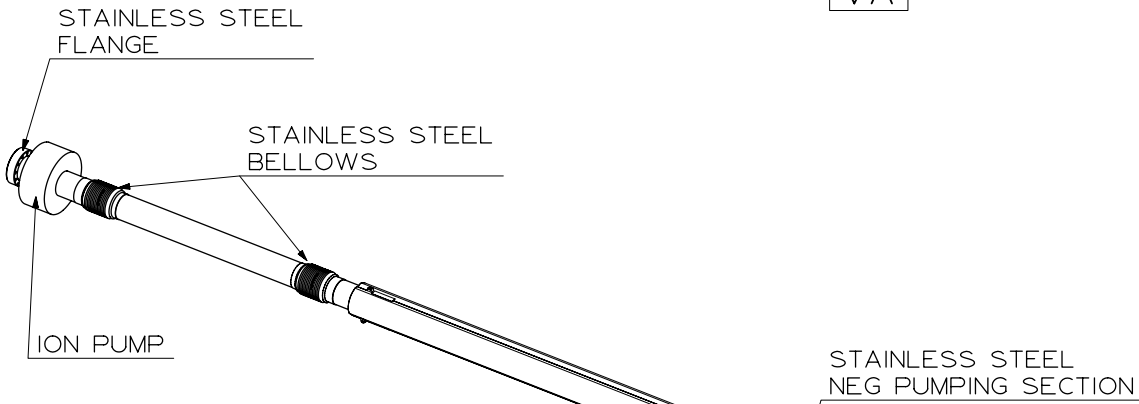
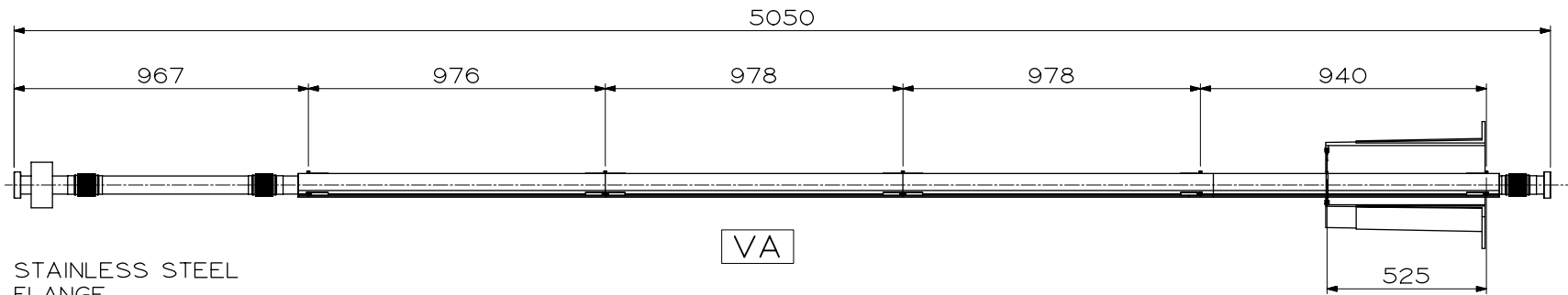
VA

VA



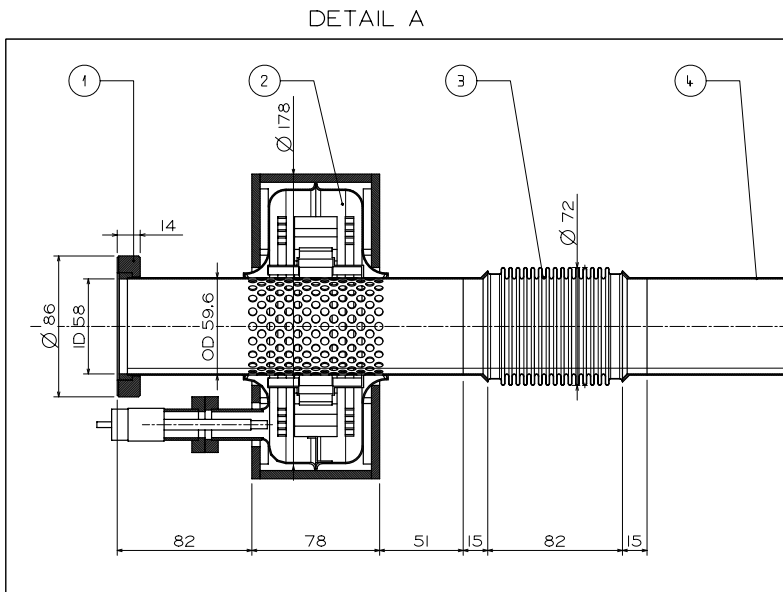
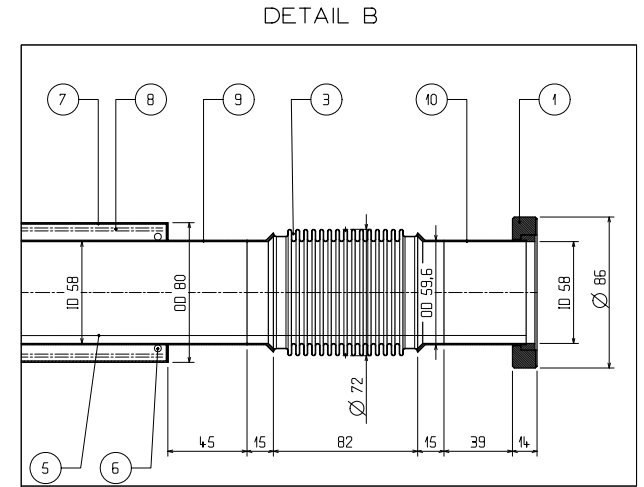
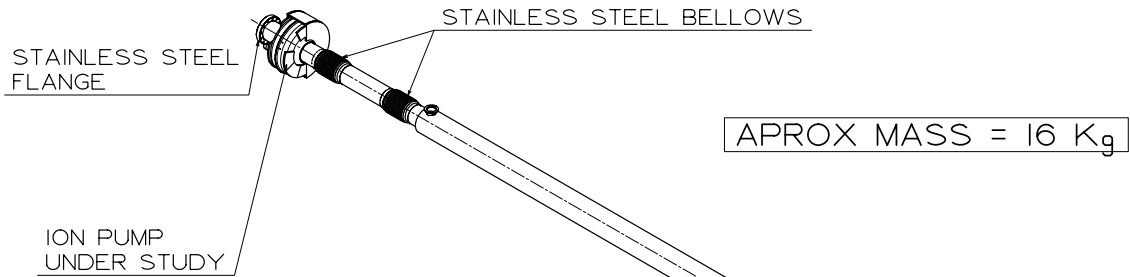
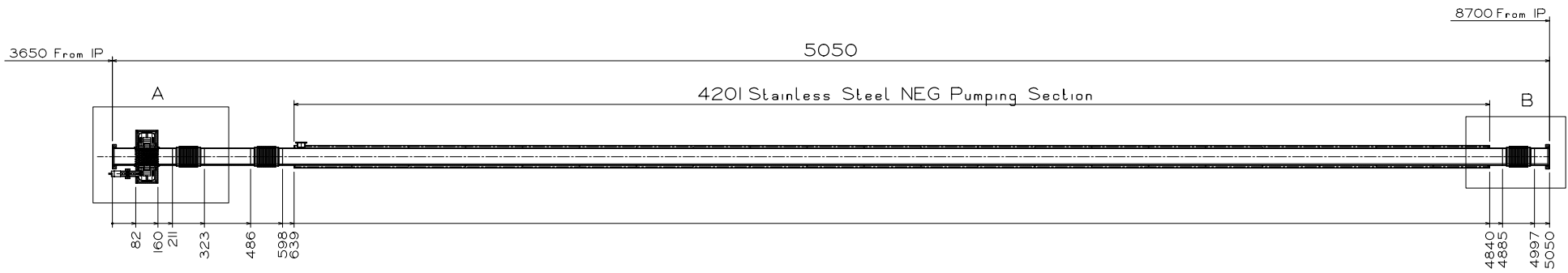
VA

Eric.Morin@cern.ch  
DATE: 09-MAY-2000  
EUCLID: AT5024-17PL  
CDD:



VA

Eric.Morin@cern.ch  
 DATE: 09-MAY-2000  
 EUCLID: AT502416PL  
 CDD:



STAINLESS STEEL NEG PUMPING SECTION

STAINLESS STEEL BELLOW

STAINLESS STEEL FLANGE

VA

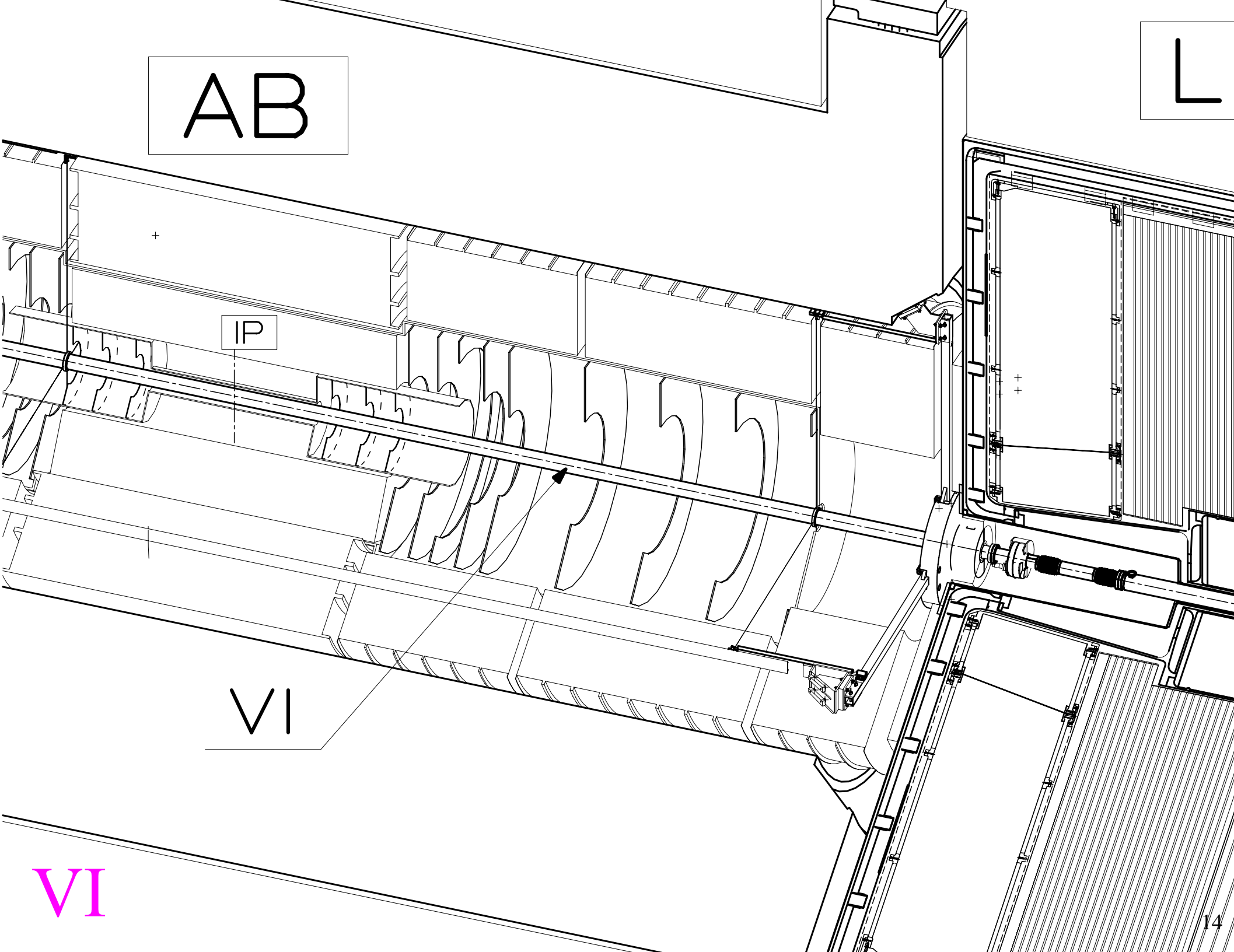
QUANT	DESCRIPTION	POS	MAT.	OBSERVATIONS	REF/ERN
1	STAINLESS STEEL TUBE	10	316 L	MASS = 60g	
1	STAINLESS STEEL TUBE	9	316 L	MASS = 5.2Kg	
2	MULTI-LAYER INSULATION	8			
1	INSULATION VACUUM TUBE	7	316 L	MASS = 4Kg	
1	HEATING SYSTEM	6			
1	DEPOSITED NEG FILM	5			
1	STAINLESS STEEL TUBE	4	316 L	MASS = 200g	
3	BELLOWS	3	316 L	CALORSTAT Ref.580102 MASS = 4.50g	
1	ION PUMP	2		UNDER STUDY MASS = 2Kg	
2	MINIISED UHV FLANGE OD=86mm	1	316 L	SEE SPECIFICATIONS MASS = 900g	
QUANT	DESCRIPTION	POS	MAT.	OBSERVATIONS	REF/ERN
VACUUM CHAMBER - POINT 1 - ARGON ENDCAP					
ATLAS BEAM VACUUM CHAMBER					
ARGON BARREL (VA)					
PROJECT ENGINEER INFORMATION - LHCVC1A_0001					

REVISIONS: 1. 2. 3. 4. 5. 6. 7. 8. 9. 10. 11. 12. 13. 14. 15. 16.

IND.	DATE	NOH/NAME	ZONE	MODIFICATION
B	20-03-01	E. MORIN		MISE A JOUR 28/10/00
A	20-03-01	E. MORIN		MAJ LE5050MM

AB

L



IP

VI

VI



